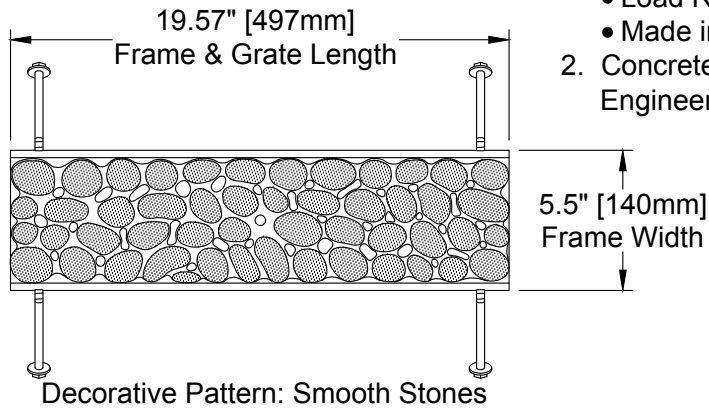


Plan Notes

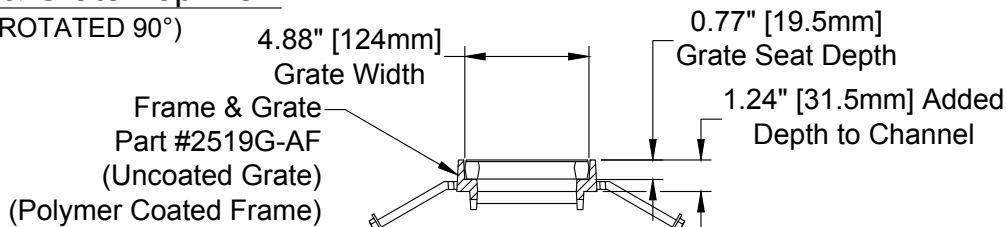
Series Number: PD-2519G-AF

1. Grate & Frame:
 - Ductile Iron per ASTM A536 Grade 80-55-06 (Uncoated)
 - Load Rating: 494 PSI (AASHTO M-306 Test Method)
 - Made in the USA
2. Concrete: Concrete Thickness and Reinforcement per Structural Engineer's Specification for the Application.

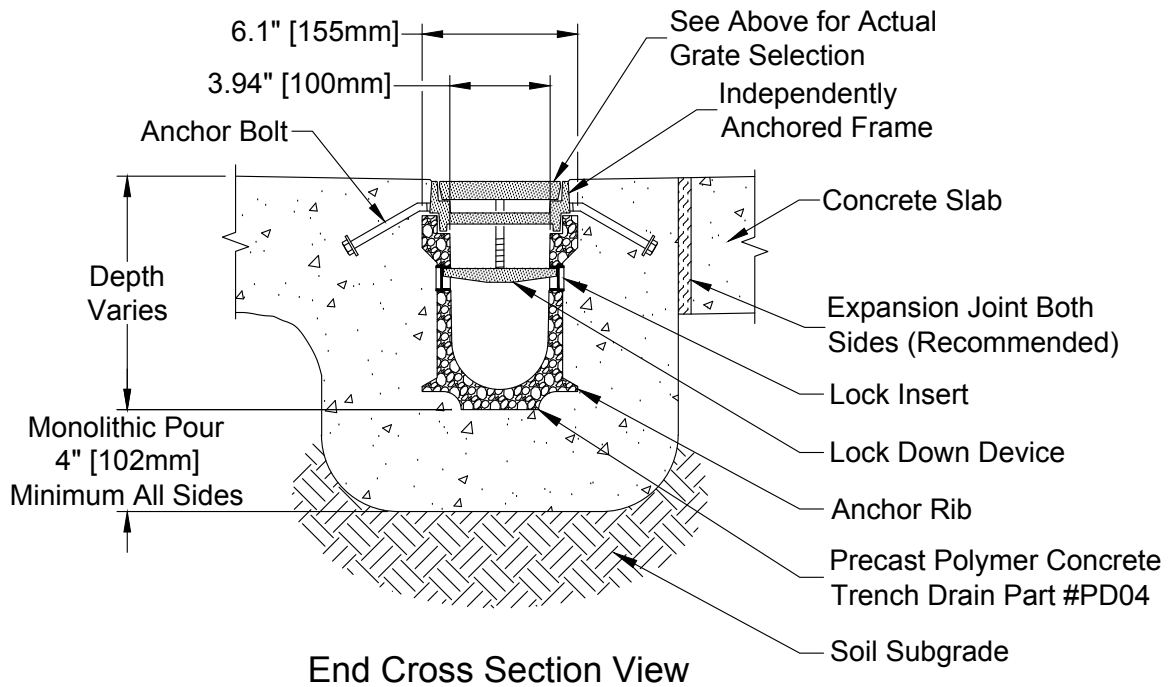


Frame & Grate Top View

(ROTATED 90°)



Frame & Grate End View



End Cross Section View